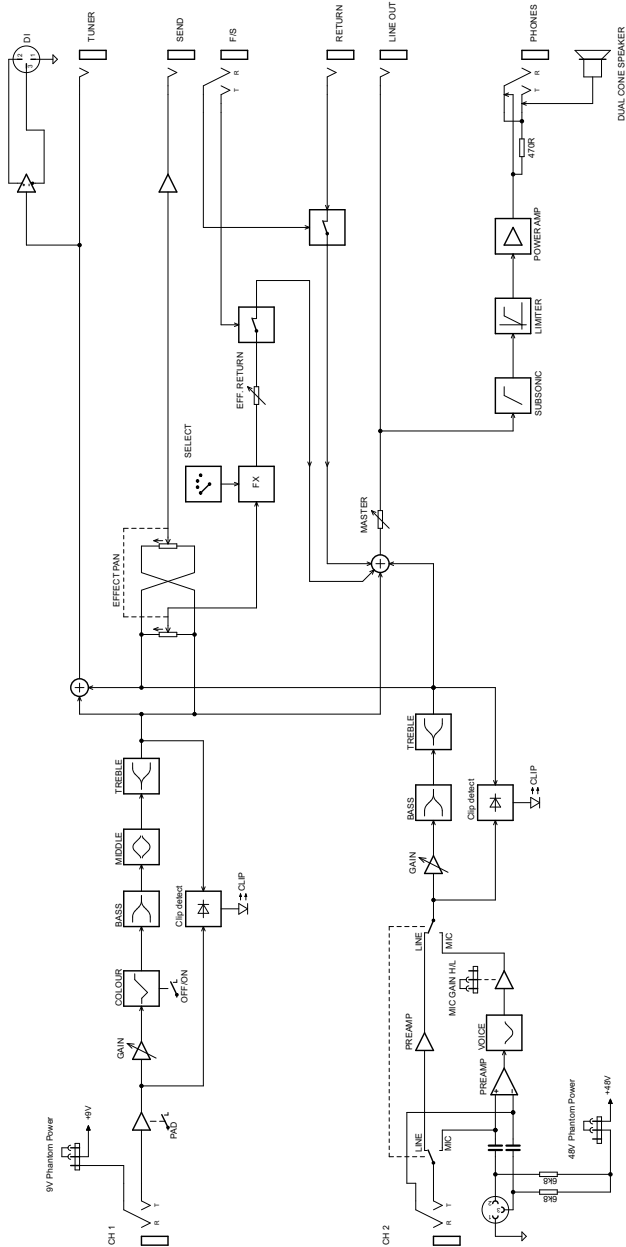


Circuit diagram



B900216C_20110401