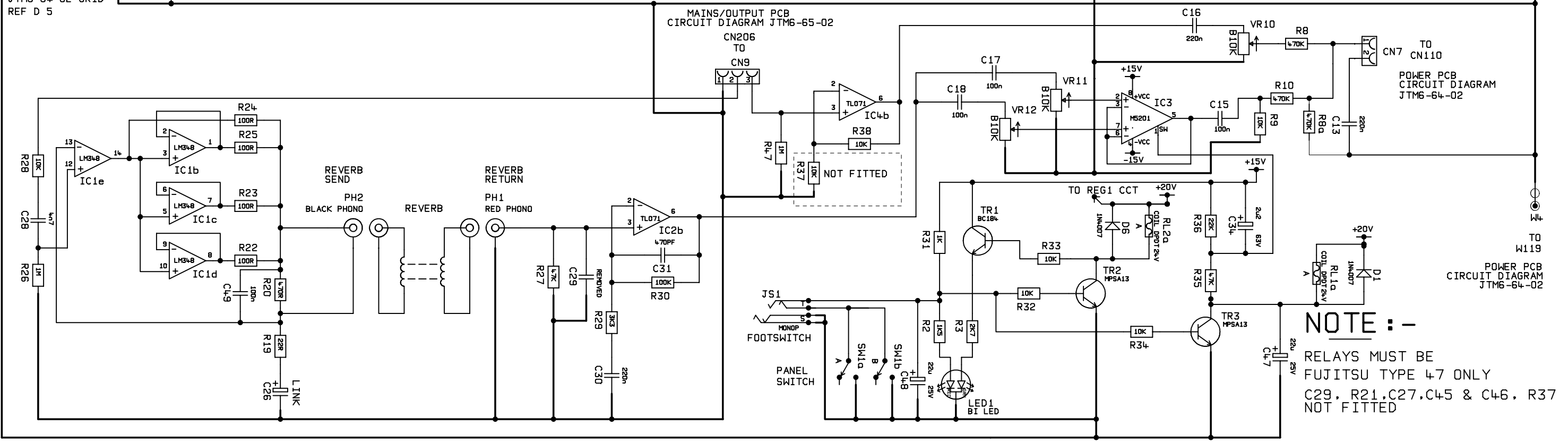
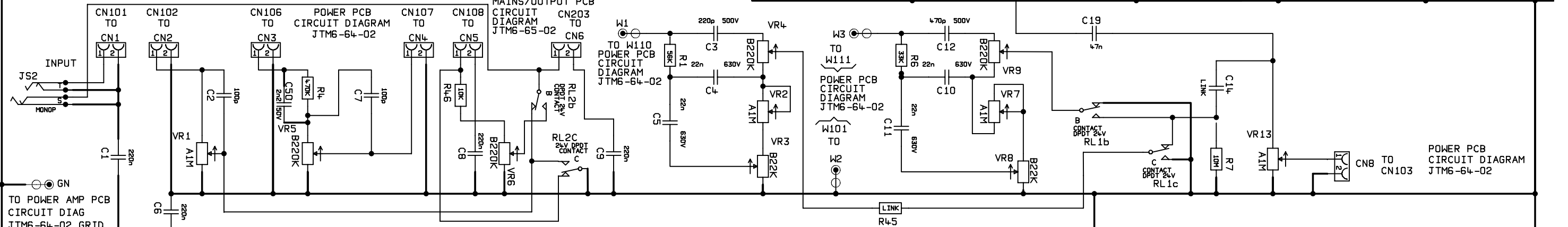
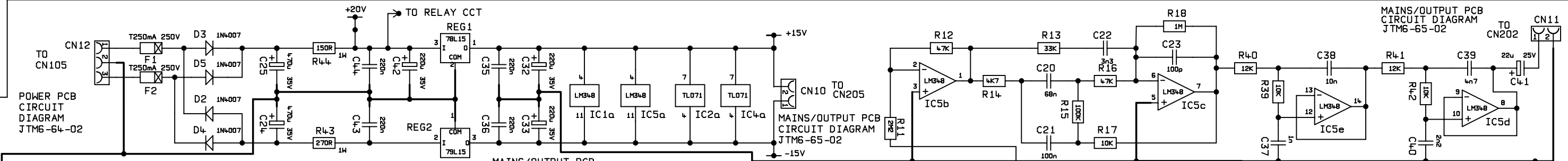
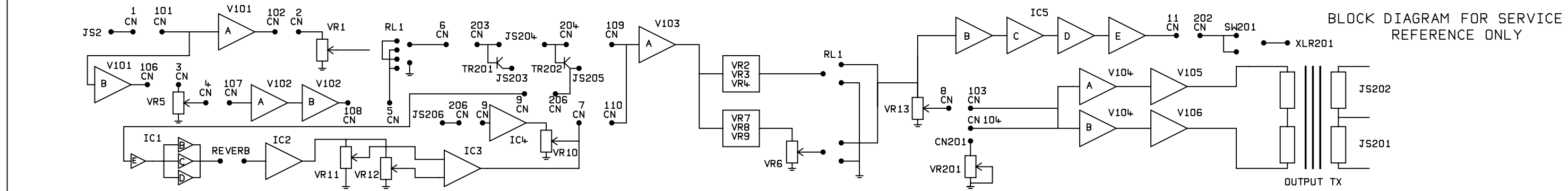


JCM6-60-02  
DWG.No.

BLOCK DIAGRAM FOR SERVICE REFERENCE ONLY



**NOTE :-**  
RELAYS MUST BE FUJITSU TYPE 47 ONLY  
C29, R21, C27, C45 & C46, R37 NOT FITTED

6		ALL OTHER HOLES =		X = (THROUGH PLATED)		MATERIAL		DIMENSIONS IN		TITLE	
2		A		E		MATERIAL THICKNESS		TOLERANCE (UNLESS OTHERWISE STATED)		PRE-AMP PCB	
1		B		F		DRAWN RSB		DATE 04/05/95		CIRCUIT DIAGRAM	
ISS		C		G		CHECKED		DATE		DWG.No JCM6-60-02	
ECO NUMBER		D		H		APPROVED		DATE		ISS 2	

